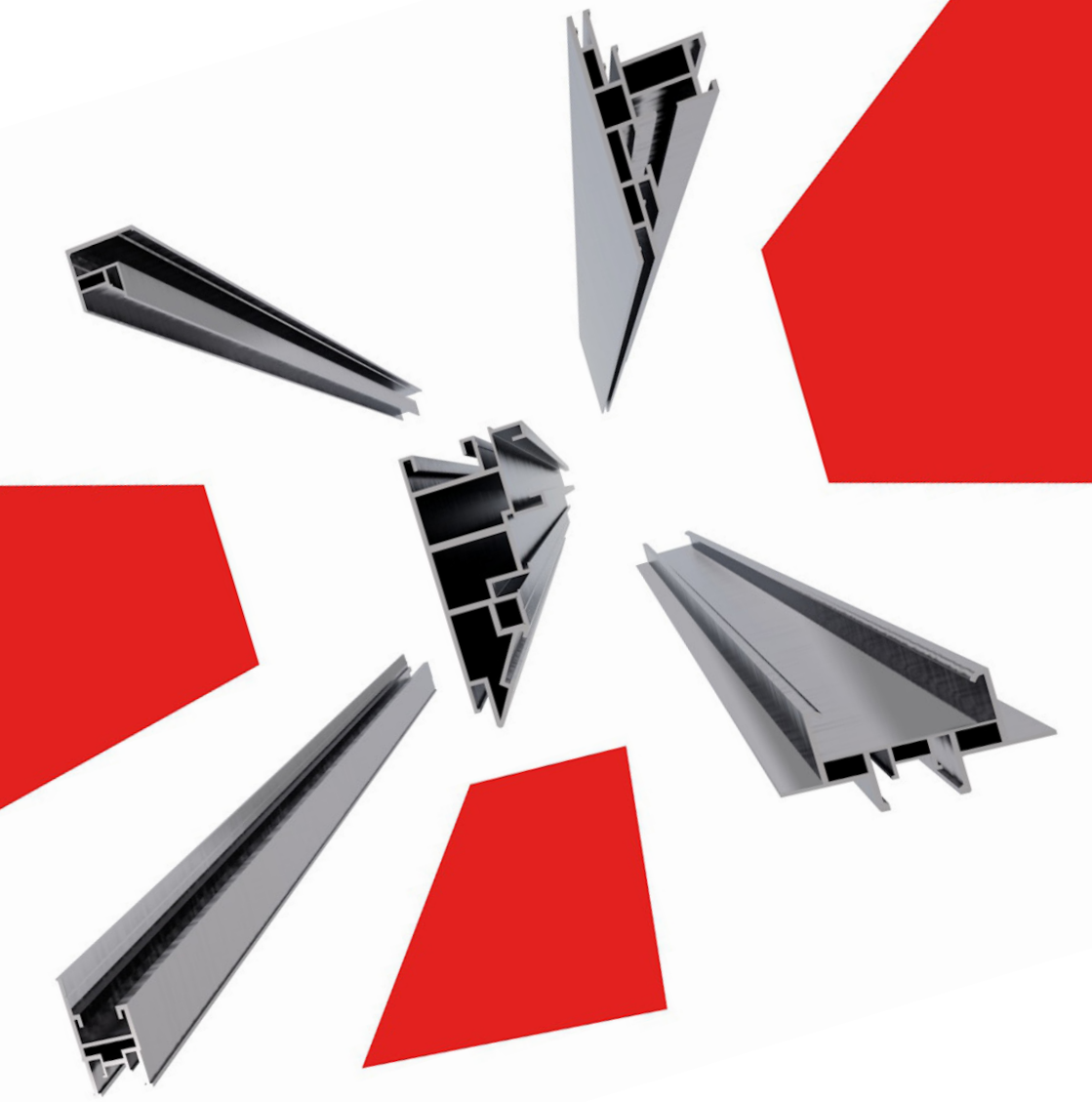
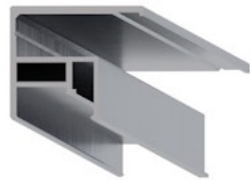


Innovation made visible.



LIGHT PROFILE SOLUTIONS

VECTA **KEY** LIGHT LIGHTING SYSTEM



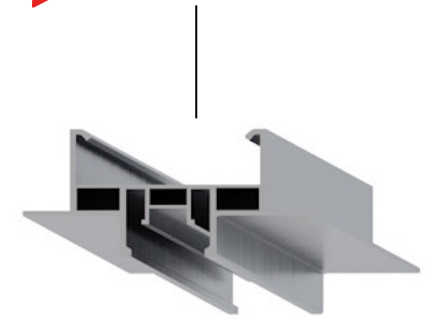
CROWN LIGHT

LUMINOUS



EXPO

COMBI



AL 18

02

KEY LIGHT

An original solution for the integration of LED lighting with stretch ceilings. The LED lighting is 30 mm wide and enables the creation of continuous glowing lines. Two different diffusers are available to provide the option of direct or scattered light.

AL 20

04

CROWN LIGHT

A unique system featuring a 25 mm wide flat diffuser that creates the effect of a stretch ceiling floating on an illuminated perimeter.

AL 21

06

LUMINOUS

A special aluminium profile that has been developed by VECTA DESIGN to enable the creation of custom design LED light boxes.

AL 22

07

EXPO

Is a modular system featuring stretch ceiling material installed in a frame constructed from the AL 22 profile using special fixings. If required, LED lighting can be easily installed. It can be used as illuminated or acoustic partition walls and exhibition stands

AL 23

09

COMBI

Was developed to enable integration of the KEY LIGHT system into gypsum board ceilings. In addition, the COMBI profile is multifunctional, as it can be used to combine gypsum board and stretch ceiling material in one room.

KEY LIGHT AL 18



FD1- LED STRIP-4500K

| | |
|---------------|-----------|
| Type: | LED strip |
| Wattage(W): | 10 |
| Lumens(LM): | 1300 |
| Col Temp (K): | 4500 |
| IP Rating: | IP20 |
| Width(MM): | 10 |



FD1- LED RGB STRIP

| | |
|---------------|---------------|
| Type: | LED RGB strip |
| Wattage(W): | 11.2 |
| Lumens(LM): | 550 |
| Col Temp (K): | RGB |
| IP Rating: | IP20 |
| Width(MM): | 10 |

AL 18 profile



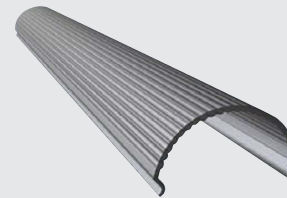
33.8mm(W) 63.8mm (H)

White matt flat diffuser



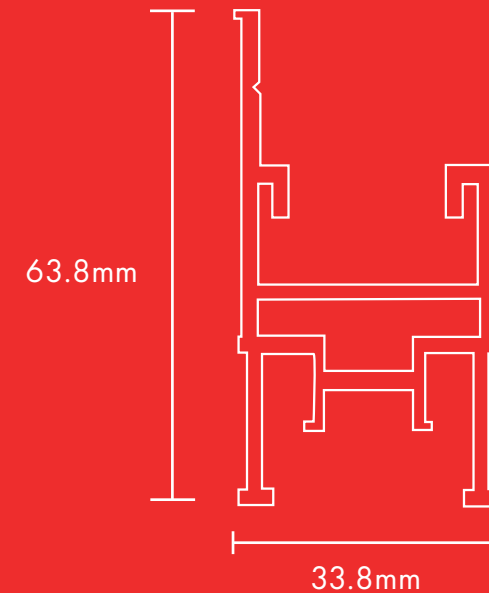
31.4mm(W) 26.0mm (H)

White matt round diffuser



31.4mm(W) 16.0mm (H)

AL 18 SIDE PROFILE



VECTA **KEY** LIGHT LIGHTING SYSTEM

VECTA KEY LIGHT system enables the creation of modern interior designs by using light accents. High quality stretchor gypsum board ceilings featuring fully integrated LED lighting will provide a unique and stylish appearance.

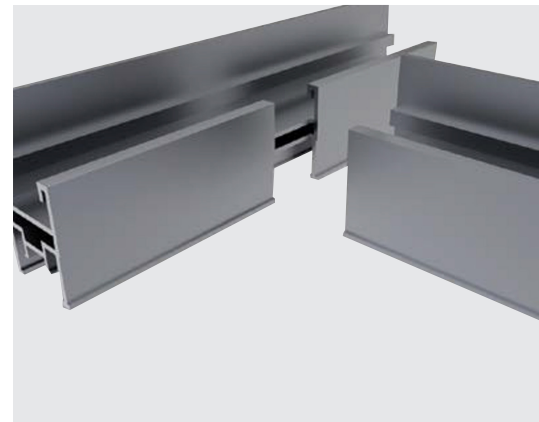
KEY LIGHT AL 18



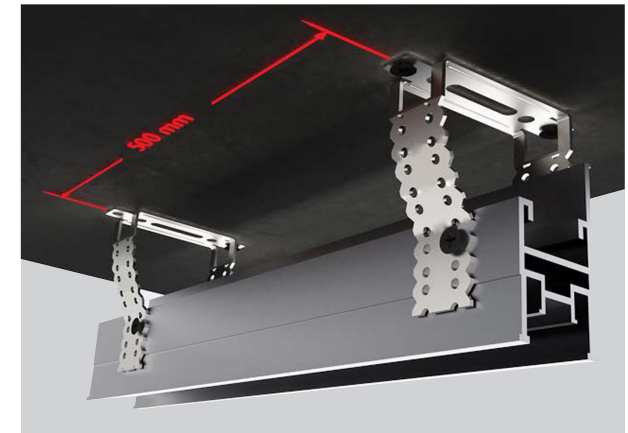
Using the profile as a ceiling divisor: Ceilings have to be ordered simultaneously, as there can be tone difference of various film lots. If there will be a time gap between the orders production might use another roll for the order. Multiple ceilings in the same room must be ordered together.



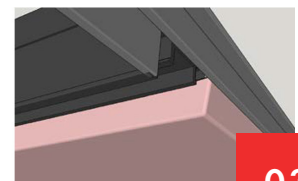
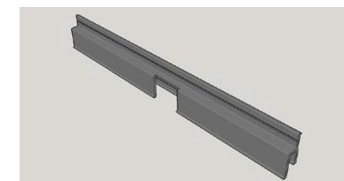
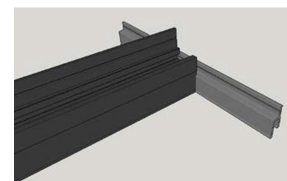
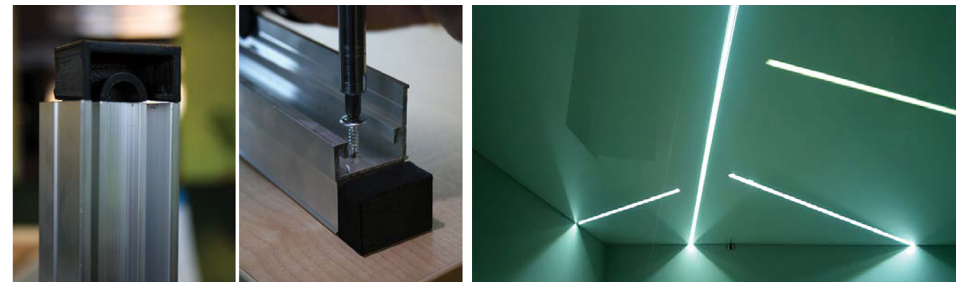
With specially developed diffusers two levels of illumination are possible, direct and scattered light. VECTA KEY LIGHT can be installed to create geometric patterns. VECTA KEY LIGHT system features an aluminum profile AL 18, an LED light source and a matt diffuser. CAP-1 for KEY LIGHT system has been developed by VECTA DESIGN to enable the creation of exciting ceiling designs. With CAP-1, the KEY LIGHT profile can end anywhere in the stretch ceiling. Standard profile length 2,5m, special order 5m long profile.



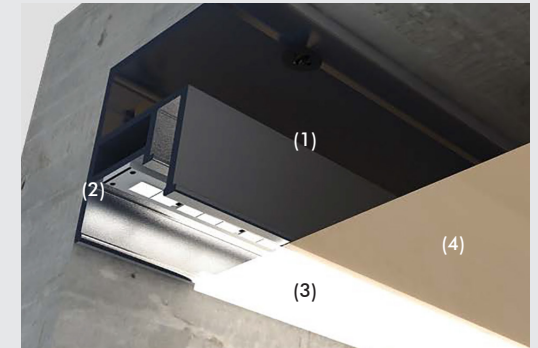
Ceiling attachment-AL 18 is attached to the ceiling with plasterboard frame with hangers using screws. Suspensions are installed every 50 cm.



Developed by vecta design - new Key Light ending CAP-1 enables to have more variations in design. Now with CAP-1 the lightline can end in the middle of the stretch ceiling enabling to create modern lighting solution.

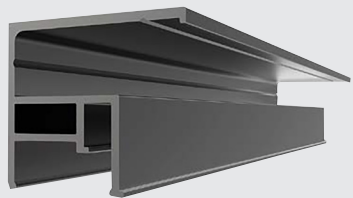


CROWN LIGHT AL 20



AL 20 profile (1) fastened to a concrete wall with wall plugs. A LED strip (2), light diffuser (3) and stretch ceiling (4) is then installed to the light profile.

AL 20 profile

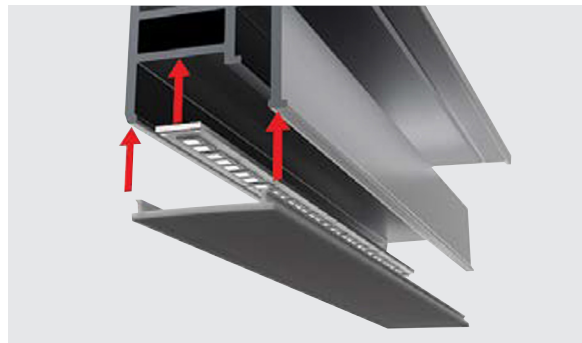


41.9mm(W) 36.0mm (H)

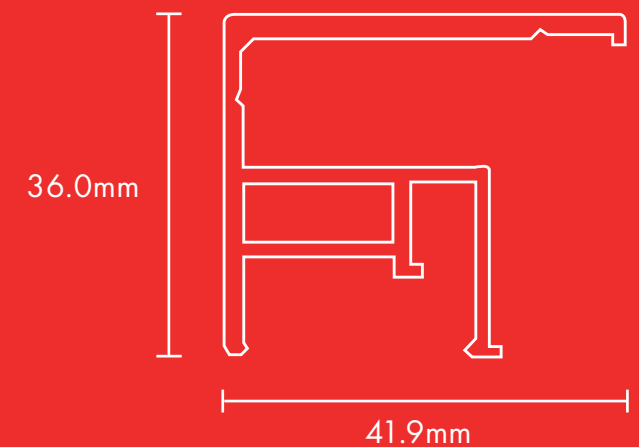
White matt flat diffuser



28.8mm(W) 26.0mm (H)



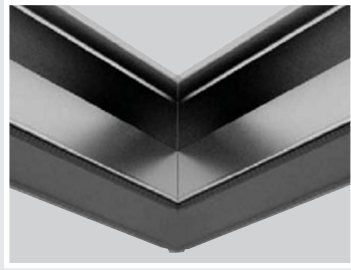
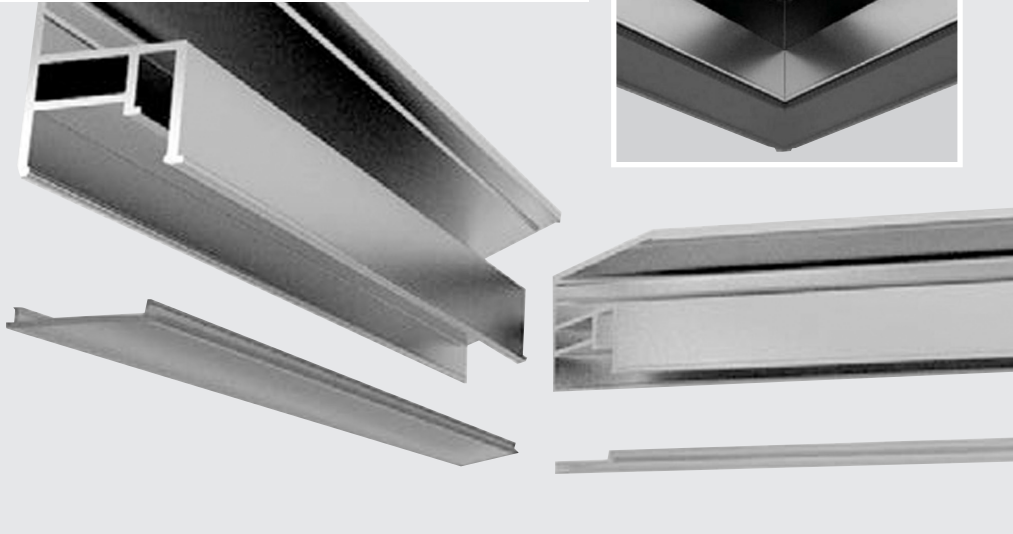
AL 20 SIDE PROFILE



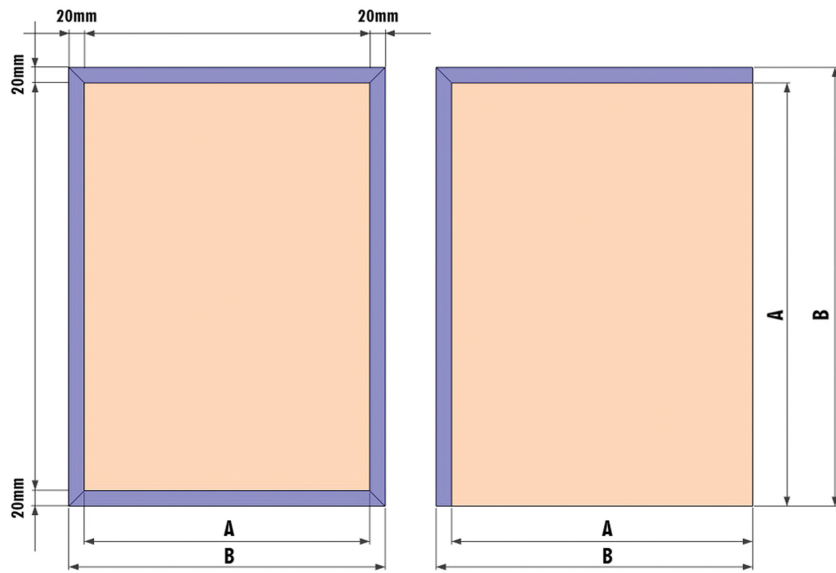
CROWN LIGHT

Used for walls and ceilings for creating cornice lighting around the perimeter of the room. Crown Light System AL20+LR18 or LR19+VEC-03 sold as a system. Standard profile length 2,5m, special order 5m long profile.

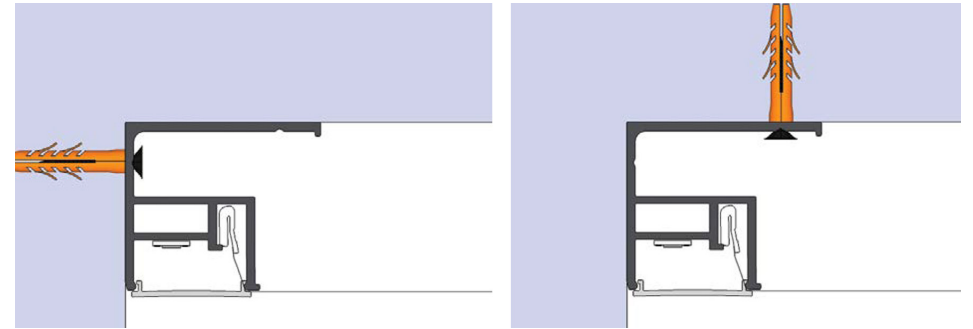
CROWN LIGHT AL 20



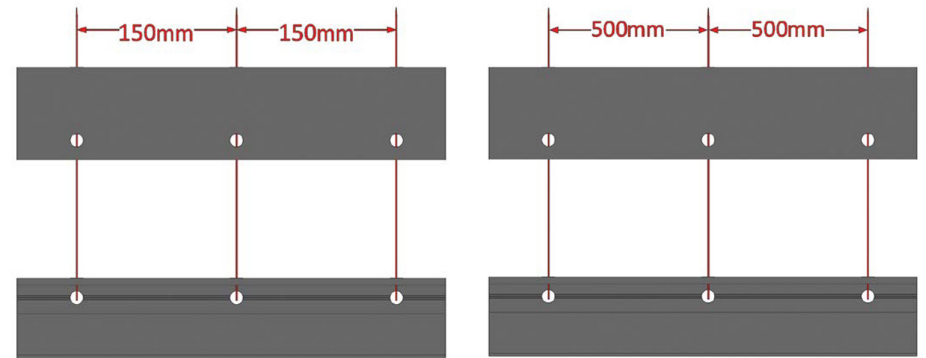
Angle connection of profile



- Vecta stretch ceiling (A)
- Crown light system (B)

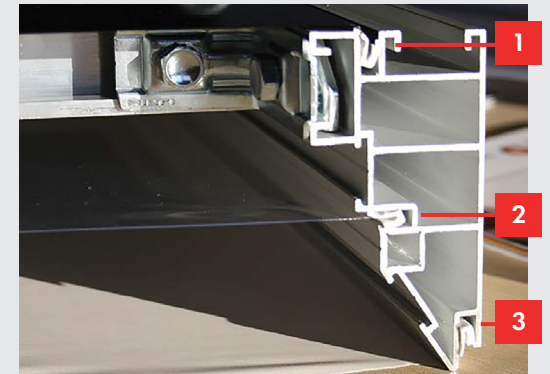
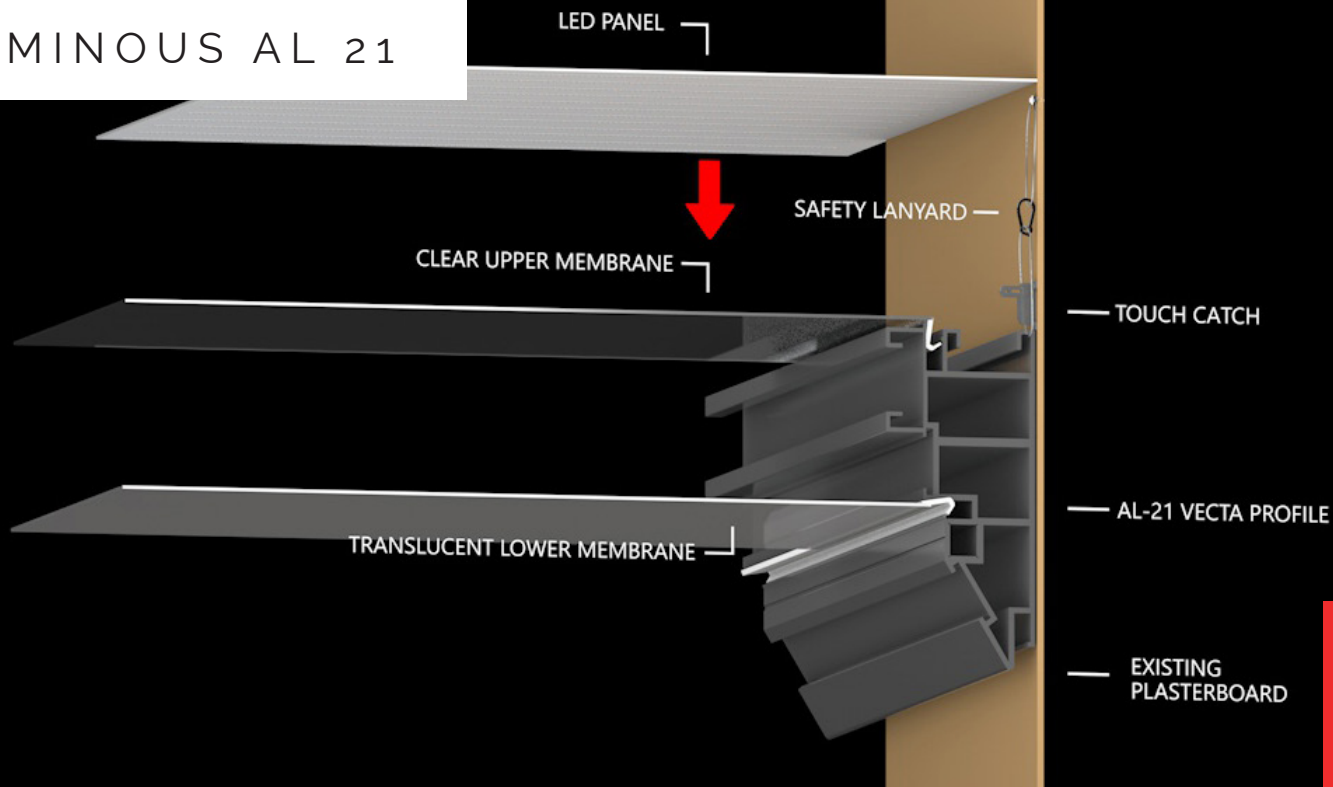


Fixing of profile AL 20 to the ceiling with wall plug



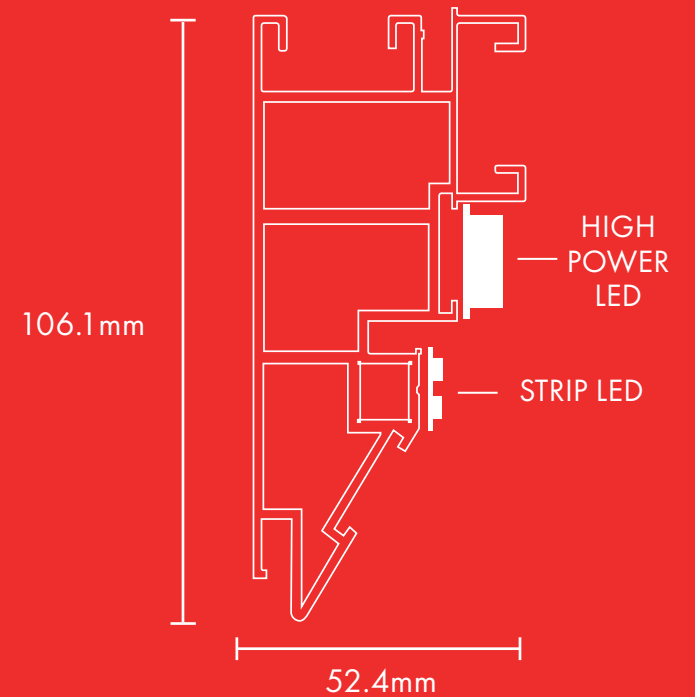
Recommended screw fixing centres for the AL 20 profile are 500mm for concrete surfaces and 150mm for gypsum boards. Drill size - 6mm diameter.

LUMINOUS AL 21



The profile design enables the installation of a stretch ceiling (1) 3-d level and dust protection membrane (2) 2-d level stretch ceiling (3) 1-d level)

AL 21 SIDE PROFILE



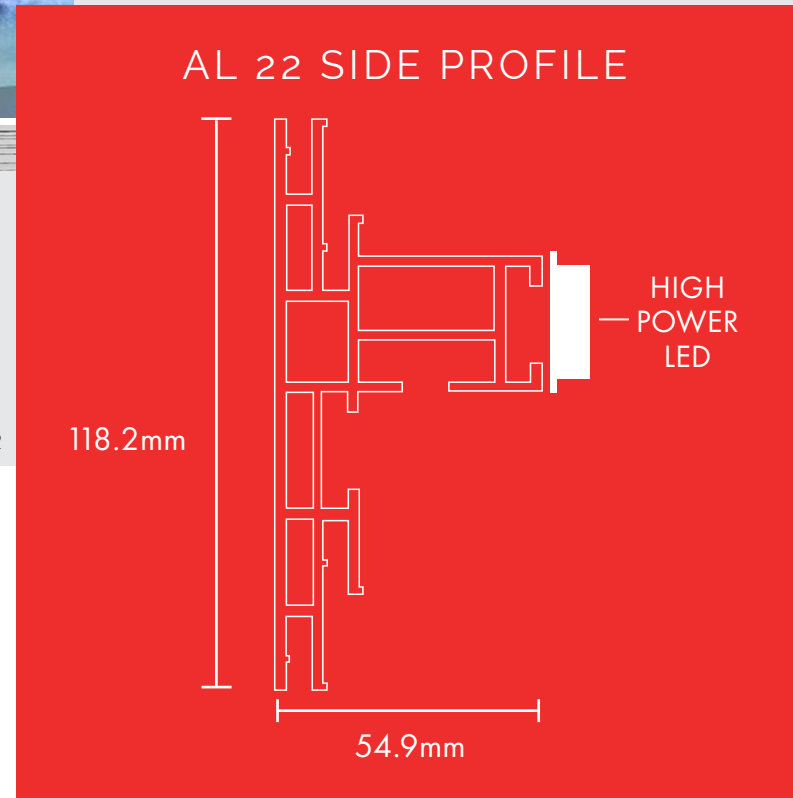
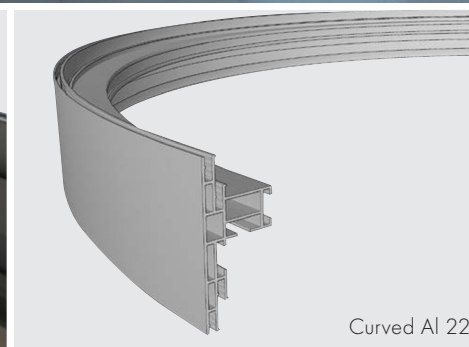
VECTA EXPO is a modular system featuring stretch ceiling material installed in a frame constructed from the AL 22 profile using special fixings. If required, LED lighting can be easily installed.

EXPO AL 22



HIGH POWER LEDs

VECTA EXPO panels can be used as illuminated or acoustic partition walls, exhibition or information stands and, by design, can be used for other applications that may be specified by clients.



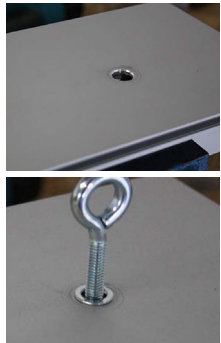
EXPO

VECTA EXPO is a modular system featuring stretch ceiling material installed in a frame constructed from the AL 22 profile using special fixings. If required, LED lighting can be easily installed.

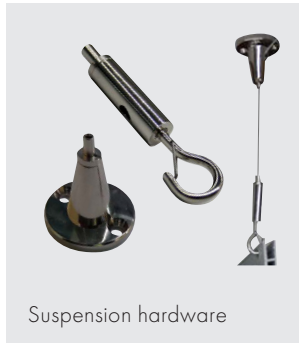
EXPO AL 22



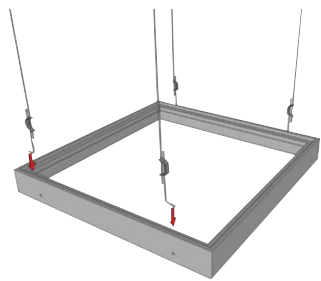
The profile has the unique capability of enabling the installation of stretch materials fitted with MINI harpoon or the new Easy Access system. Standard profile length 2,5m, special order 5m long profile. Smallest angle for AL 22A profile can be 45 degrees.



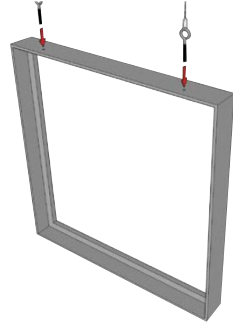
AL22 suspended corner connection



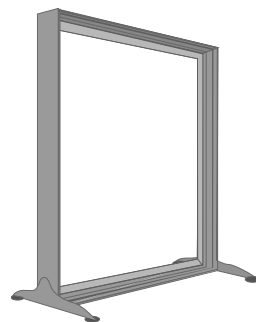
Suspension hardware



Horizontal ceiling suspension (HS) with ceiling joist hanger



Vertical ceiling suspension (VS) with cables and hooks



Base plates (BP) mounting



EXPO LIGHT PANELS

light box displays making sure that every branding opportunity is utilised. The raised location of LED light boxes provides an ideal opportunity to display a company name or brand. It can also provide visitors with useful directional signage around an exhibition halls or venues.



LR-11

Light strip High Power LED, 24V, length 470 mm, output power 13W, color 6500K (cold white)



LR-12

Light strip High Power LED, 24V, length 300 mm, output power 7.4 W, color 5700 K (cold white)

COMBI AL 23



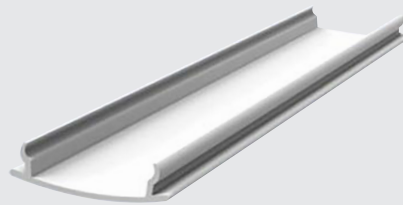
Lighting plays a role in how visitors engage with architecture. It allows people to appreciate the finer details of architecture and offers an overall better experience.

AL 23 profile



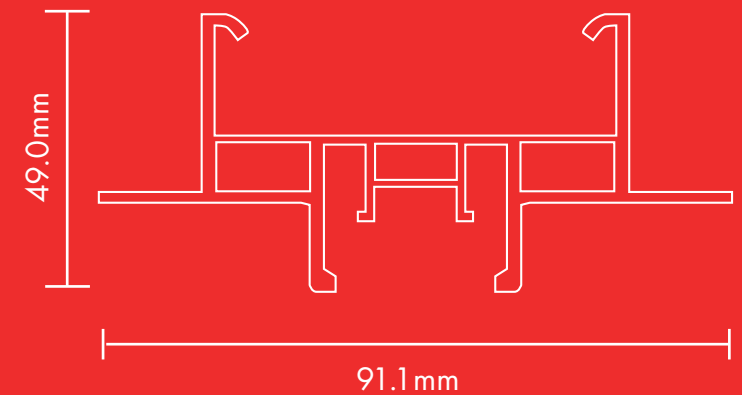
91.1mm(W) 49.0mm (H)

VEC-4 diffuser



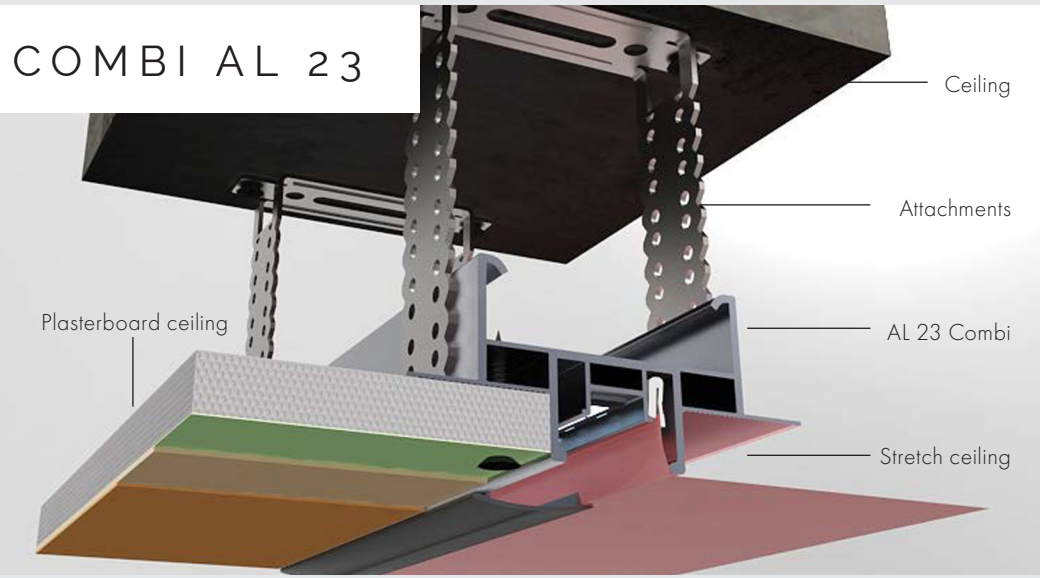
31.4mm(W)

AL 23 SIDE PROFILE

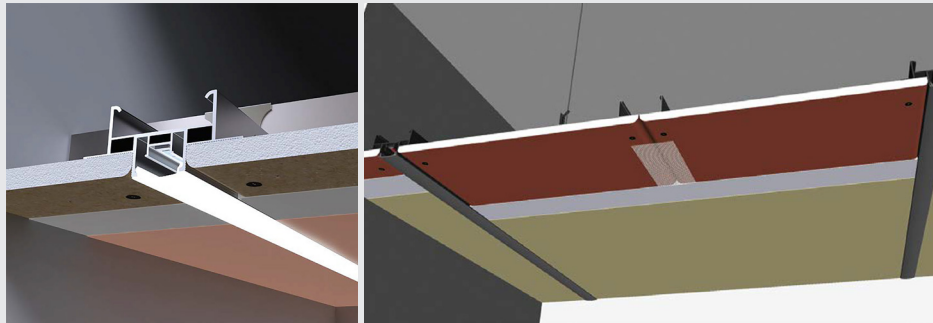
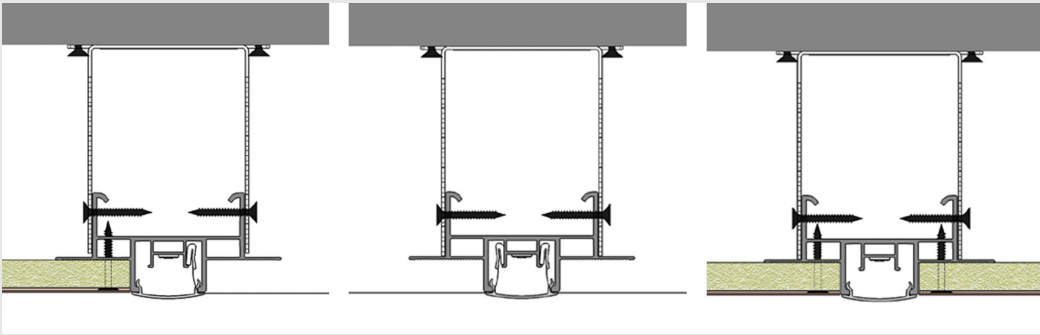


For all installations, the COMBI system enables the creation of interior design accents with continuous light lines from the 30mm wide LED strips. Alternate LED strips are available to provide cold or neutral light (LR39 or LR-40). The installation is completed with a VEC-4 diffuser.

COMBI AL 23

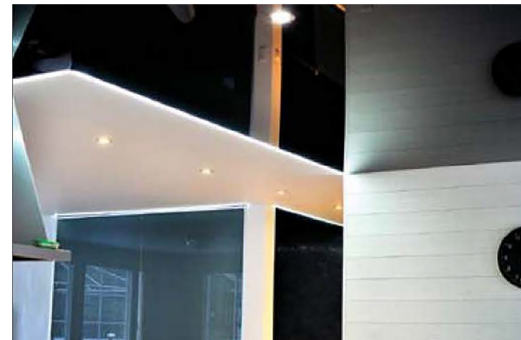
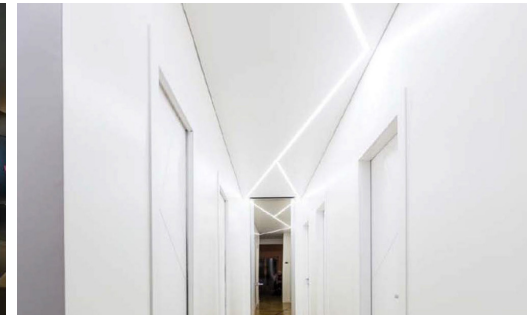
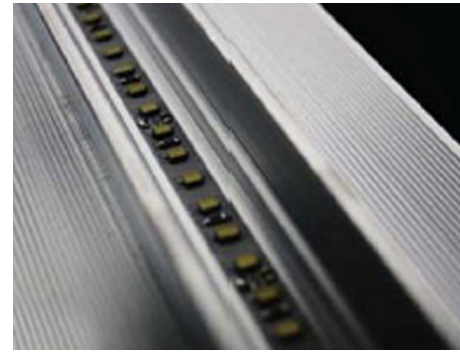


AL 23 COMBI was developed to enable integration of the KEY LIGHT system into gypsum board ceilings. In addition, the COMBI profile is multifunctional, as it can be used to combine gypsum board and stretch ceiling material in one room.



LED STRIPS TECHNICAL SPECS

| | LR-39 | LR-40 |
|----------------|------------|---------------|
| Length (mm) | 5000 | 5000 |
| Width (mm) | 8 | 8 |
| Thickness (mm) | 1 | 1 |
| Wavelength | 6000k | 4000k |
| LED colour | cold white | neutral white |
| Lumens(lm) | 1700 | 1700 |
| Voltage | DC 24 | DC 24+0.5 |
| Power(w/m) | 14 | 14 |





Innovation made visible.